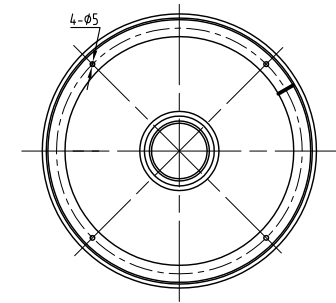
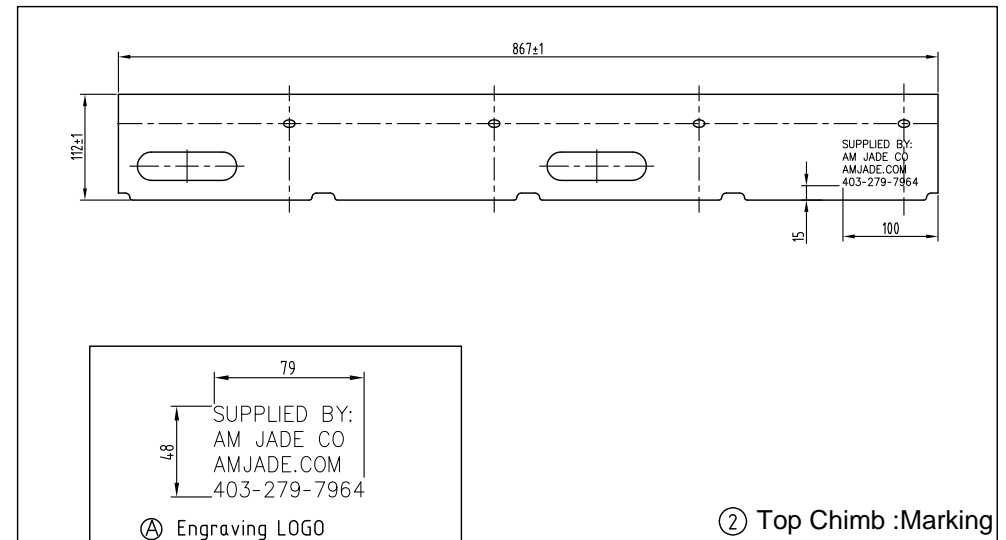


Ⓓ Keg Top Dome Lettering



Ⓕ Keg Bottom

Top Chimb Tablet Expand



Ⓔ Top Chimb :Marking

Technical Requirements

No.	Item	Technical Data			Confirm	
1	Material	Top Chimb	AISI SS304	2.0±0.2mm	950-1050N/mm ²	
		Bottom Chimb	AISI SS304	2.0±0.2mm	950-1050N/mm ²	
		Body	AISI SS304	1.5±0.1mm	580-700N/mm ²	
2	Marking	LOGO	YES	Engraving	The details please see dimension Ⓐ	
		Essential information of the keg	NO			
		Container Number	NO			
3	Top Dome Lettering	Top Dome: Government Warning	YES	Stamp	The details please see dimension Ⓓ	
4	Colour Band	Colour Band	NO			
5	Safety Device	Burst Disc	NO		The details please see dimension Ⓕ	
6	Neck	Material	AISI SS304	Type	RS-D-USA	
		Brand	Micro Matic			
		Type	RS-D Type With Double Circlip 700-060			
8	Internal and external finish	Pickled and Passivated				


Notes:

- Capacity: 29.81L±0.2L
- Weight: 8.3kg±5% (Excluding the spear)
- Working pressure: 3.0bar, testing pressure: 6.3bar;
- Remove all burrs, sharp edges and swarf.

Drawing Approval:

Signature: _____

Date: _____

				amjade.com P: 403.279.7964 F: 403.279.7951 general@amjade.com 9720 68th Street SE, Calgary AB, T2C 4Z8 Canada		 AM JADE CO		
ITEM	AMENDMENTS	SIGNATURE	DATE	Title:				Material:
Drawn By	Design By	Checked By	Approved By	Keg $\phi 278$ 1/4 Barrel		Stainless Steel	Weight: 8.3kg	Unit:mm
John Chen						Ref:	AM JADE CO. 1/4 BBL KEG	
								Scale: 1:8
								Rev: B