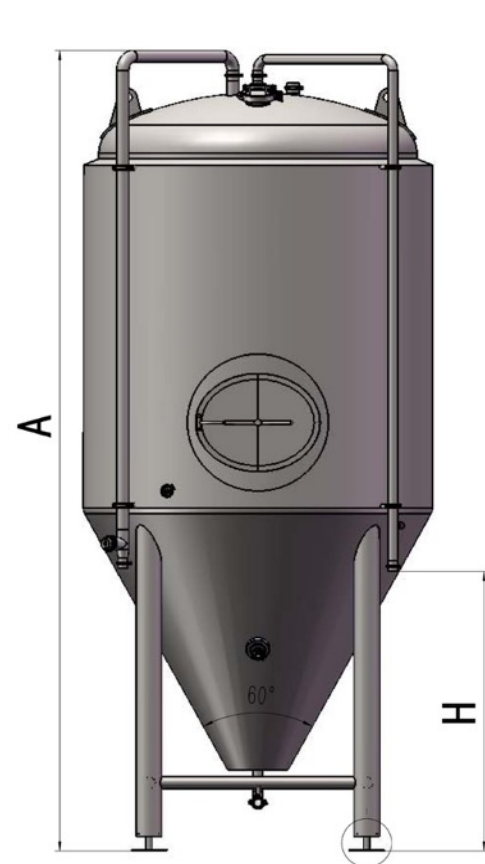
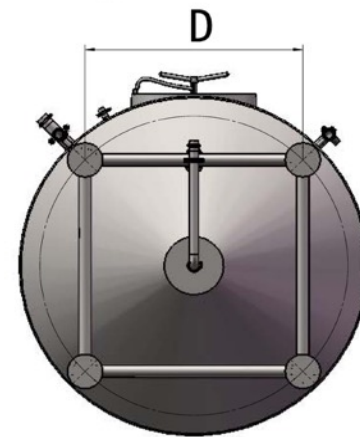
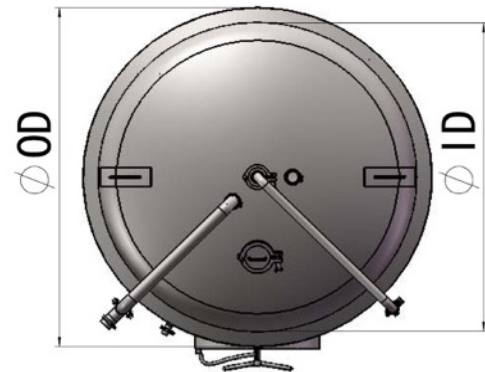
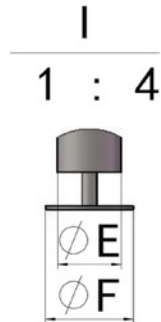




AM JADE CO



Dry Hop Port
 3BBL-
 optional 2~4
 in port
 5~150BBL-
 standard 4~6
 in port



FERMENTERS/UNITANKS

Uni-fermenter
 3bbl-150bbl capacity available
 304 stainless steel, other finishes available upon request.

Standard Configurations:

- ◇25% excess capacity
- ◇60 (internal angle) degree cone
- ◇100% TIG welded and sanitary polished surface
- ◇All with #4 exterior surface finish
- ◇All with 2B internal surface finish
- ◇Hop port at top head
- ◇Sample valve ferrule
- ◇Side shadowless manway
- ◇CIP Rotary Spray Ball and process pipe
- ◇Side rotating racking arm and bottom outlet
- ◇Thermowell
- ◇Multiple glycol jackets at shell and cone
- ◇60mm PU insulation
- ◇Three or four heavy duty legs with adjustable foot pads
- ◇Tri-Clamp sanitary fittings

Note:

- ◇All foot pad sizes and designs can be customized as needed
- ◇All tanks shown have a 60 deg cone angle
- ◇Custom sizes are available per request